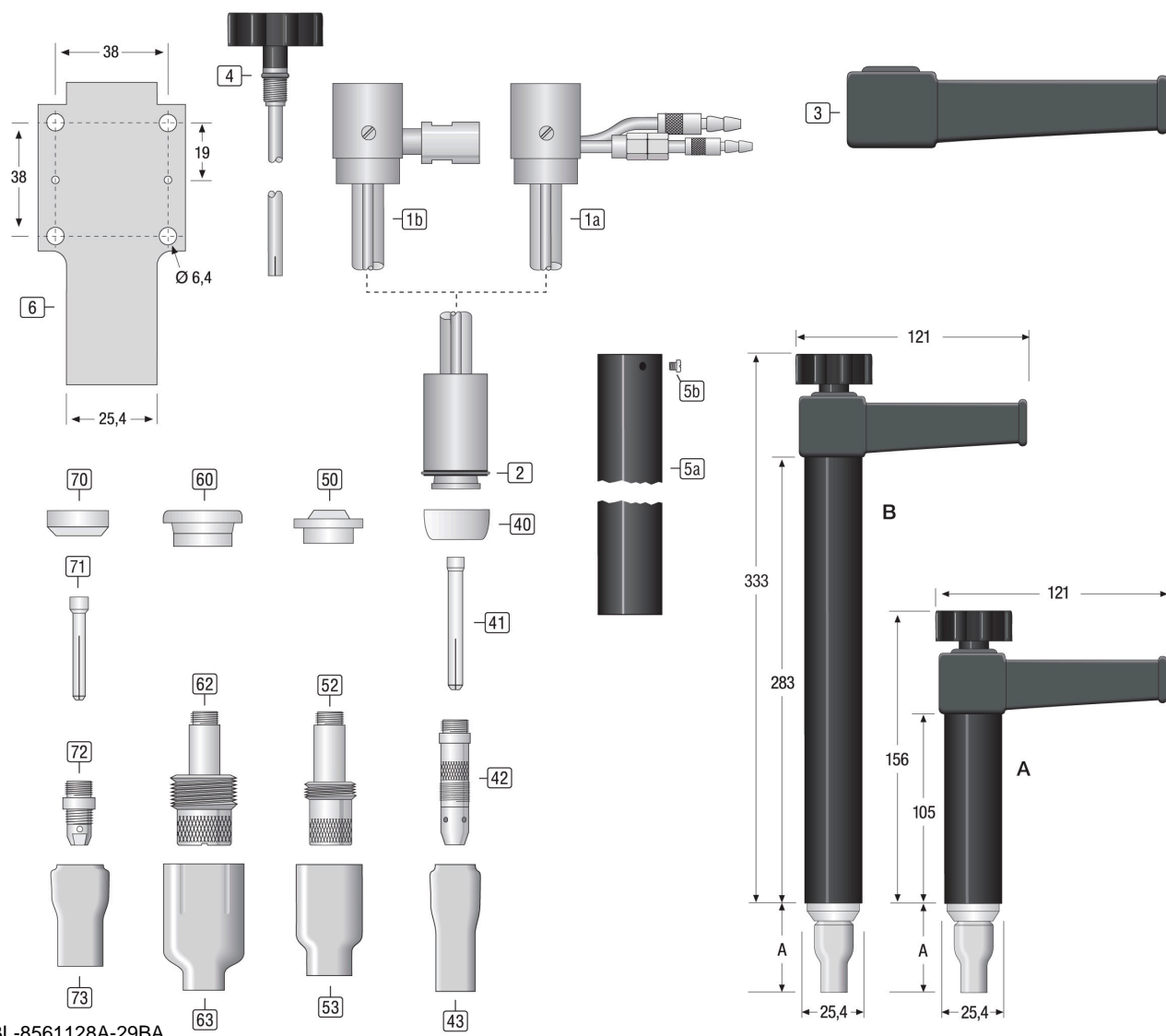




Daten blad

WT28AW_BW/ WT29AA_BA

WeldTec



00.DBL-8561128A-29BA

01/2022

Verslijtonderdelen

Positie	Artikelbeschrijving	Bestelnummer
40	Isolator Standaard [18CG] WT-17/18/26 WT-28/29	85504181-W
41	Spantang Ø0,5mm L=50mm [10N21] WT-17/18/26 WT-28/29	85110210-W
	Spantang Ø1,0mm L=50mm [10N22] WT-17/18/26 WT-28/29	85110220-W
	Spantang Ø1,6mm L=50mm [10N23] WT-17/18/26 WT-28/29	85110230-W
	Spantang Ø2,4mm L=50mm [10N24] WT-17/18/26 WT-28/29	85110240-W
	Spantang Ø3,2mm L=50mm [10N25] WT-17/18/26 WT-28/29	85110250-W
	Spantang Ø4,0mm L=50mm [54N20] WT-17/18/26 WT-28/29	85114200-W
42	Spantanghouder Ø0,5mm [10N29] WT-17/18/26 WT-28/29	85120290-W
	Spantanghouder Ø1,0mm [10N30] WT-17/18/26 WT-28/29	85120300-W
	Spantanghouder Ø1,6mm [10N31] WT-17/18/26 WT-28/29	85120310-W
	Spantanghouder Ø2,4mm [10N32] WT-17/18/26 WT-28/29	85120320-W
	Spantanghouder Ø3,2mm [10N28] WT-17/18/26 WT-28/29	85120280-W
	Spantanghouder Ø4,0mm [406488] WT-17/18/26 WT-28/29	85124880-W
43	Gasmondstuk #4 iØ6,4mm L=47mm [10N50] WT-17/18/26 WT-28/29	85210500-W
	Gasmondstuk #5 iØ8,0mm L=47mm [10N49] WT-17/18/26 WT-28/29	85210490-W
	Gasmondstuk #6 iØ9,6mm L=47mm [10N48] WT-17/18/26 WT-28/29	85210480-W
	Gasmondstuk #7 iØ11,2mm L=47mm [10N47] WT-17/18/26 WT-28/29	85210470-W
	Gasmondstuk #8 iØ12,8mm L=47mm [10N46] WT-17/18/26 WT-28/29	85210460-W
	Gasmondstuk #10 iØ16mm L=47mm [10N45] WT-17/18/26 WT-28/29	85210450-W
	Gasmondstuk #12 iØ19,2mm L=47mm [10N44] WT-17/18/26 WT-28/29	85210440-W
50	Isolator Adapter [54N01] WT-17/18/26 WT-28/29	85504010-W
52	Gaslens Ø0,5mm [45V29] WT-17/18/26 SW-418 WT-28/29	85134529-W
	Gaslens Ø1,0mm [45V24] WT-17/18/26 SW-418 WT-28/29	85134524-W
	Gaslens Ø1,6mm [45V25] WT-17/18/26 SW-418 WT-28/29	85134525-W
	Gaslens Ø2,4mm [45V26] WT-17/18/26 SW-418 WT-28/29	85134526-W
	Gaslens Ø3,2mm [45V27] WT-17/18/26 SW-418 WT-28/29	85134527-W
	Gaslens Ø4,0mm [45V28] WT-17/18/26 SW-418 WT-28/29	85134528-W
53	Gasmondstuk #4 iØ6,4mm L=42mm [54N18] WT-17/18/26 SW-450 WT-28/29	85254180-W
	Gasmondstuk #5 iØ6,4mm L=42mm [54N17] WT-17/18/26 SW-450 WT-28/29	85254170-W
	Gasmondstuk #6 iØ9,6mm L=42mm [54N16] WT-17/18/26 SW-450 WT-28/29	85254160-W
	Gasmondstuk #8 iØ12,8mm L=42mm [54N14] WT-17/18/26 SW-450 WT-28/29	85254140-W
60	Isolator Gaslens Jumbo [54N63] WT-17/18/26 WT-28/29	85504630-W
62	Gaslens Ø0,5-1,0mm Jumbo [45V0204] WT-17/18/26 SW-418 WT-28/29	85134502-W
	Gaslens Ø1,6mm Jumbo [45V116] WT-17/18/26 SW-418 WT-28/29	85134516-W
	Gaslens Ø2,4mm Jumbo [45V64] WT-17/18/26 WT-28/29	85134564-W
	Gaslens Ø3,2mm Jumbo [995795] WT-17/18/26 WT-28/29	85135795-W
	Gaslens Ø4,0mm Jumbo [45V63] WT-17/18/26 WT-28/29	85134563-W
63	Gasmondstuk #6 iØ9,6mm L=48mm [57N75] ceramisch, roze	85257750-W
	Gasmondstuk #8 iØ12,8mm L=48mm [57N74] ceramisch, roze	85257740-W
	Gasmondstuk #10 iØ16,0mm L=48mm [53N88] WT Jumbo	85253880-W
	Gasmondstuk #12 iØ19,2mm L=48mm [53N87] WT Jumbo	85253870-W
70	Isolator Stubby [18CG20] WT-17/18/26 WT-28/29	85504182-W
71	Spantang Ø1,6mm L=29,5mm [10N23S] WT-17/18/26 WT-28/29	85110231-W
	Spantang Ø2,4mm L=29,5mm [10N24S] WT-17/18/26 WT-28/29	85110241-W
	Spantang Ø3,2mm L=29,5mm [10N25S] WT-17/18/26 WT-28/29	85110251-W
72	Spantanghouder Ø1,0-3,2mm [17CB20] WT-17/18/26 WT-28/29	85122000-W
73	Gasmondstuk #4 iØ6,4mm L=30mm [13N08] WT-9/20/25 SW-320 WT-22/23	85213080-W
	Gasmondstuk #5 iØ8,0mm L=30mm [13N09] WT-9/20/25 SW-320 WT-22/23	85213090-W
	Gasmondstuk #6 iØ9,6mm L=30mm [13N10] WT-9/20/25 SW-320 WT-22/23	85213100-W
	Gasmondstuk #7 iØ11,2mm L=30mm [13N11] WT-9/20/25 SW-320 WT-22/23	85213110-W
	Gasmondstuk #8 iØ12,8mm L=30mm [13N12] WT-9/20/25 SW-320 WT-22/23	85213120-W
	Gasmondstuk #10 iØ16,0mm L=30mm [13N13] WT-9/20/25 SW-320 WT-22/23	85213130-W

Onderdelen

Positie	Artikelbeschrijving	Bestelnummer
1a	Toorts lichaam WT28 Model A [WT-28AB] vloeistofkoeling	8561128AW
	Toorts lichaam WT28 Model B [WT-28BB] vloeistofkoeling	8561128BW
1b	Toorts lichaam WT29 Model A [WT-29AB] luchtkoeling	8561129AA
	Toorts lichaam WT29 Model B [WT-29BB] luchtkoeling	8561129BA
2	O-Ring [22-2-4] WT-22/23 WT-28/29	85611Z22-2-4

Reproductie en verspreiding van deze publicatie in welke vorm dan ook - zelfs in gedeelten - is zonder voorafgaande toestemming verboden.

3	Knikbescherming [22-3] WT-22/23 WT-28/29	85611Z22-3A
4	Elektrodehouder Model A [28-2A] WT-28/29	85611Z28-2A
	Elektrodehouder Model B [28-2B] WT-28/29	85611Z28-2B
	O-Ring [22-2-3] WT-22/23 WT-28/29	85611Z22-2-3
5a	Isolatie bus Model A [22-1A] WT-22/23 WT-28/29	85611Z22-1A
	Isolatie bus Model B [22-1B] WT-22/23 WT-28/29	85611Z22-1B
5b	Schroeven Set [27-10] WT-22/23 WT-28/29 WT-27	85611Z27-10
6	Montageblok Model A [MB] WT-22/23 WT-28/29	85611Z22-MB