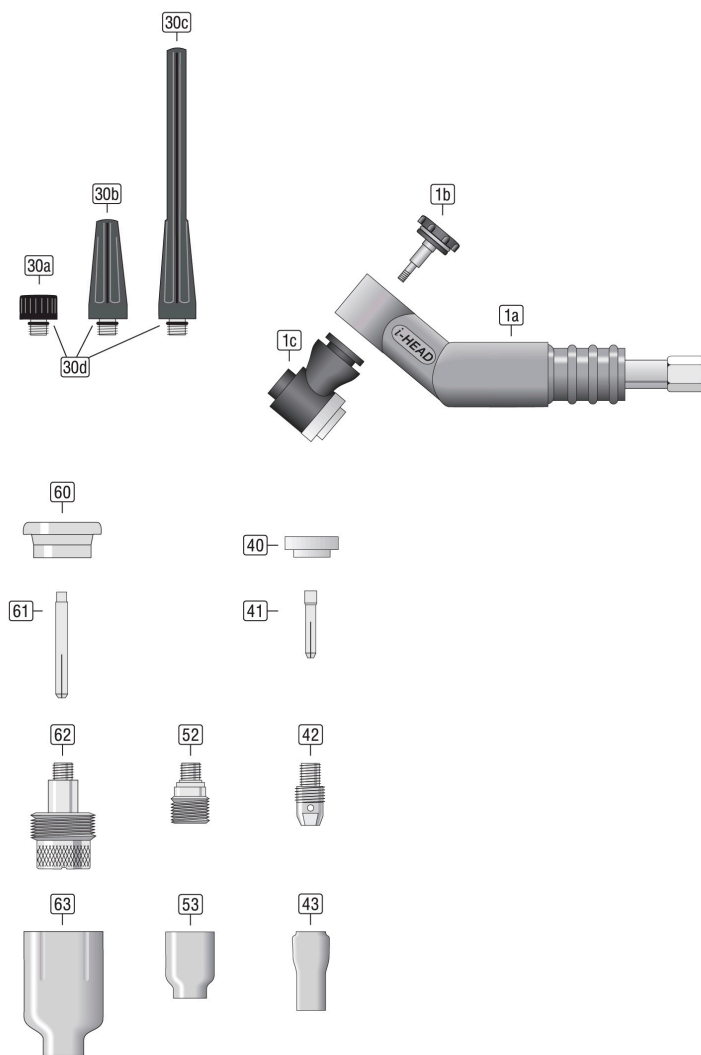




Scheda tecnica

WTR-G-9/20



00.DBL-85608RG-09

12/2018

TIG Torce WTR-G-9/20

Attrezzatura

| Pos. | Descrizione articolo | N. d'ordinazione |
|------|--|------------------|
| 30a | Tappo corto [41V33] WT-9/20 SW-320 | 85741330-W |
| 30b | Tappo medio [41V35] WT-9/20 SW-320 | 85741350-W |
| 30c | Tappo lungo [41V24] WT-9/20 SW-320 | 85741240-W |
| 30d | Guarnizione circolare [98W77] WT-9/20/25/60/125 | 85509-98W77-W |
| 40 | Isolatore Standard [598882] WT-9/20/25 SW-320 WT-22/23 | 85504820-W |
| 41 | Pinze Ø0,5mm L=25mm [13N20] WT-9/20/25 SW-320 WT-22/23 | 85113200-W |
| | Pinze Ø1,0mm L=25mm [13N21] WT-9/20/25 SW-320 WT-22/23 | 85113210-W |
| | Pinze Ø1,6mm L=25mm [13N22] WT-9/20/25 SW-320 WT-22/23 | 85113220-W |
| | Pinze Ø2,4mm L=25mm [13N23] WT-9/20/25 SW-320 WT-22/23 | 85113230-W |
| | Pinze Ø3,2mm L=25mm [13N24] WT-9/20/25 SW-320 WT-22/23 | 85113240-W |
| 42 | Porta Pinze Ø0,5mm [13N25] WT-9/20/25 SW-320 WT-22/23 | 85123250-W |
| | Porta Pinze Ø1,0mm [13N26] WT-9/20/25 SW-320 WT-22/23 | 85123260-W |
| | Porta Pinze Ø1,6mm [13N27] WT-9/20/25 SW-320 WT-22/23 | 85123270-W |
| | Porta Pinze Ø2,4mm [13N28] WT-9/20/25 SW-320 WT-22/23 | 85123280-W |
| | Porta Pinze Ø3,2mm [13N29] WT-9/20/25 SW-320 WT-22/23 | 85123290-W |
| 43 | Ugelli #4 iØ6,4mm L=30mm [13N08] WT-9/20/25 SW-320 WT-22/23 | 85213080-W |
| | Ugelli #5 iØ8,0mm L=30mm [13N09] WT-9/20/25 SW-320 WT-22/23 | 85213090-W |
| | Ugelli #6 iØ9,6mm L=30mm [13N10] WT-9/20/25 SW-320 WT-22/23 | 85213100-W |
| | Ugelli #7 iØ11,2mm L=30mm [13N11] WT-9/20/25 SW-320 WT-22/23 | 85213110-W |
| | Ugelli #8 iØ12,8mm L=30mm [13N12] WT-9/20/25 SW-320 WT-22/23 | 85213120-W |
| | Ugelli #10 iØ16,0mm L=30mm [13N13] WT-9/20/25 SW-320 WT-22/23 | 85213130-W |
| 52 | Diffusore a gas Ø0,5mm [45V41] WT-9/20/24/25 SW-320 WT-22/23 | 85134541-W |
| | Diffusore a gas Ø1,0mm [45V42] WT-9/20/24/25 SW-320 WT-22/23 | 85134542-W |
| | Diffusore a gas Ø1,6mm [45V43] WT-9/20/24/25 SW-320 WT-22/23 | 85134543-W |
| | Diffusore a gas Ø2,4mm [45V44] WT-9/20/24/25 SW-320 WT-22/23 | 85134544-W |
| | Diffusore a gas Ø3,2mm [45V45] WT-9/20/24/25 SW-320 WT-22/23 | 85134545-W |
| 53 | Ugelli #4 iØ6,4mm L=25mm [53N58] WT-9/20/24/25 SW-320 WT-22/23 | 85253580-W |
| | Ugelli #5 iØ8,0mm L=25mm [53N59] WT-9/20/24/25 SW-320 WT-22/23 | 85253590-W |
| | Ugelli #6 iØ9,6mm L=25mm [53N60] WT-9/20/24/25 SW-320 WT-22/23 | 85253600-W |
| | Ugelli #7 iØ11,2mm L=25mm [53N61] WT-9/20/24/25 SW-320 WT-22/23 | 85253610-W |
| 60 | Isolatore Diffusore a gas Jumbo [54N63-20] WT-9/20/25 SW-320 WT-22/23 | 85504632-W |
| 61 | Pinze Ø1,0mm L=40mm [13N21L] WT-9/20/25 SW-320 WT-22/23 | 85113214-W |
| | Pinze Ø1,6mm L=40mm [13N22L] WT-9/20/25 SW-320 WT-22/23 | 85113224-W |
| | Pinze Ø2,4mm L=40mm [13N23L] WT-9/20/25 SW-320 WT-22/23 | 85113234-W |
| | Pinze Ø3,2mm L=40mm [13N24L] WT-9/20/25 SW-320 WT-22/23 | 85113244-W |
| 62 | Diffusore a gas Ø0,5-1,0mm Jumbo [45V0204S] WT-9/20/25 SW-320 WT-22/23 | 85136504-W |
| | Diffusore a gas Ø1,6mm Jumbo [45V116S] WT-9/20/25 SW-320 WT-22/23 | 85136516-W |
| | Diffusore a gas Ø2,4mm Jumbo [45V64S] WT-9/20/25 SW-320 WT-22/23 | 85136564-W |
| | Diffusore a gas Ø3,2mm Jumbo [995795S] WT-9/20/25 SW-320 WT-22/23 | 85136795-W |
| 63 | Ugelli #6 iØ9,6mm L=48mm [57N75] ceramici, rosa | 85257750-W |
| | Ugelli #8 iØ12,8mm L=48mm [57N74] ceramici, rosa | 85257740-W |
| | Ugelli #10 iØ16,0mm L=48mm [53N88] WT Jumbo | 85253880-W |
| | Ugelli #12 iØ19,2mm L=48mm [53N87] WT Jumbo | 85253870-W |

I pezzi di ricambio

| Pos. | Descrizione articolo | N. d'ordinazione |
|------|---|------------------|
| 1a | Corpo della torcia Roto [WTR-A] raffreddata ad aria | 85608RG0 |
| 1b | Manopola di bloccaggio Roto [WR1] WTR | 85608RR1 |
| 1c | Testa di torce Roto [920R] WTR | 85608R09 |