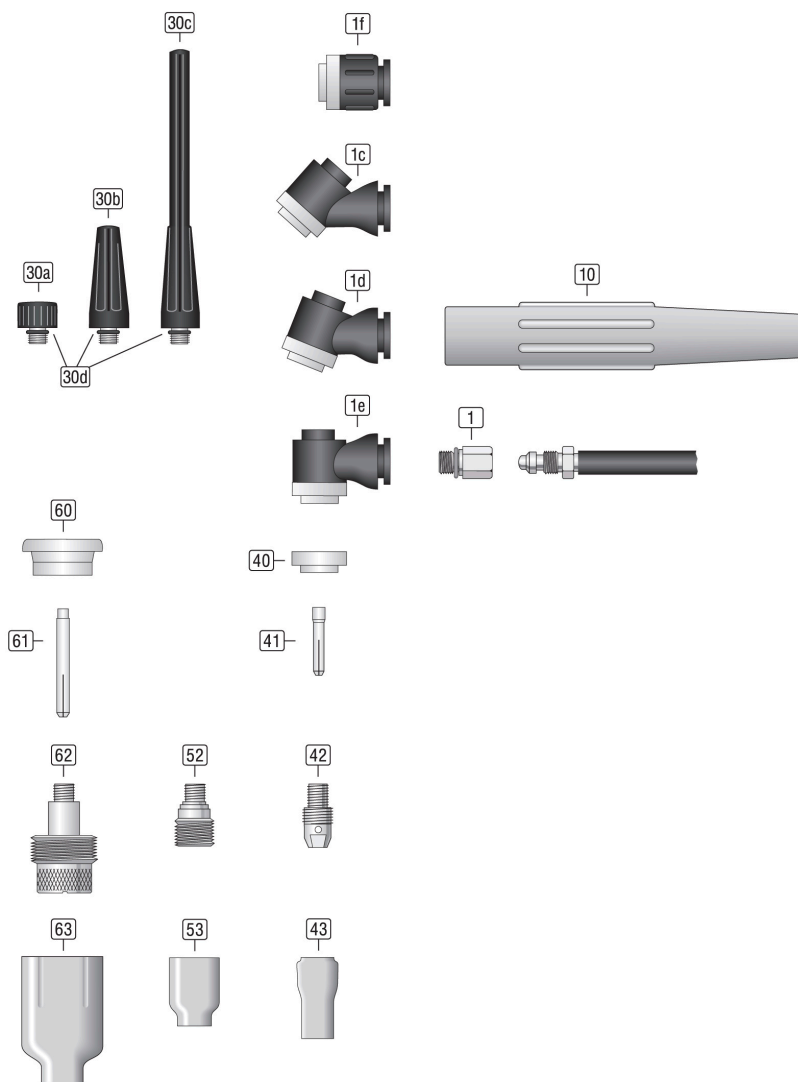


Data Sheet

Stubby® WTS-9

WeldTec



00.DBL-85608SG9

02-2022

TIG Torch Stubby® WTS-9**Wearing parts**

| # | Item description | Part no |
|-----|---|---------------|
| 30a | Back Cap short [41V33] WT-9/20 SW320 | 85741330-W |
| 30b | Back Cap medium [41V35] WT-9/20 SW-320 | 85741350-W |
| 30c | Back Cap long [41V24] WT-9/20 SW-320 | 85741240-W |
| 30d | O-ring [98W77] WT-9/20/60/125 | 85509-98W77-W |
| 40 | Insulator Standard [598882] WT-9/20/25 SW-320 WT-22/23 | 85504820-W |
| 41 | Collet Ø0,5mm L=25mm [13N20] WT-9/20/25 SW-320 WT-22/23 | 85113200-W |
| | Collet Ø1,0mm L=25mm [13N21] WT-9/20/25 SW-320 WT-22/23 | 85113210-W |
| | Collet Ø1,6mm L=25mm [13N22] WT-9/20/25 SW-320 WT-22/23 | 85113220-W |
| | Collet Ø2,4mm L=25mm [13N23] WT-9/20/25 SW-320 WT-22/23 | 85113230-W |
| | Collet Ø3,2mm L=25mm [13N24] WT-9/20/25 SW-320 WT-22/23 | 85113240-W |
| 42 | Collet Body Ø0,5mm [13N25] WT-9/20/25 SW-320 WT-22/23 | 85123250-W |
| | Collet Body Ø1,0mm [13N26] WT-9/20/25 SW-320 WT-22/23 | 85123260-W |
| | Collet Body Ø1,6mm [13N27] WT-9/20/25 SW-320 WT-22/23 | 85123270-W |
| | Collet Body Ø2,4mm [13N28] WT-9/20/25 SW-320 WT-22/23 | 85123280-W |
| | Collet Body Ø3,2mm [13N29] WT-9/20/25 SW-320 WT-22/23 | 85123290-W |
| 43 | Nozzle #4 iØ6,4mm L=30mm [13N08] WT-9/20/25 SW-320 WT-22/23 | 85213080-W |
| | Nozzle #5 iØ8,0mm L=30mm [13N09] WT-9/20/25 SW-320 WT-22/23 | 85213090-W |
| | Nozzle #6 iØ9,6mm L=30mm [13N10] WT-9/20/25 SW-320 WT-22/23 | 85213100-W |
| | Nozzle #7 iØ11,2mm L=30mm [13N11] WT-9/20/25 SW-320 WT-22/23 | 85213110-W |
| | Nozzle #8 iØ12,8mm L=30mm [13N12] WT-9/20/25 SW-320 WT-22/23 | 85213120-W |
| | Nozzle #10 iØ16,0mm L=30mm [13N13] WT-9/20/25 SW-320 WT-22/23 | 85213130-W |
| 52 | Gaslens Ø0,5mm [45V41] WT-9/20/24/25 SW-320 WT-22/23 | 85134541-W |
| | Gaslens Ø1,0mm [45V42] WT-9/20/24/25 SW-320 WT-22/23 | 85134542-W |
| | Gaslens Ø1,6mm [45V43] WT-9/20/24/25 SW-320 WT-22/23 | 85134543-W |
| | Gaslens Ø2,4mm [45V44] WT-9/20/24/25 SW-320 WT-22/23 | 85134544-W |
| | Gaslens Ø3,2mm [45V45] WT-9/20/24/25 SW-320 WT-22/23 | 85134545-W |
| 53 | Nozzle #4 iØ6,4mm L=25mm [53N58] WT-9/20/24/25 SW-320 WT-22/23 | 85253580-W |
| | Nozzle #5 iØ8,0mm L=25mm [53N59] WT-9/20/24/25 SW-320 WT-22/23 | 85253590-W |
| | Nozzle #6 iØ9,6mm L=25mm [53N60] WT-9/20/24/25 SW-320 WT-22/23 | 85253600-W |
| | Nozzle #7 iØ11,2mm L=25mm [53N61] WT-9/20/24/25 SW-320 WT-22/23 | 85253610-W |
| 60 | Insulator Gaslens Jumbo [54N63-20] WT-9/20/25 SW-320 WT-22/23 | 85504632-W |
| 61 | Collet Ø1,0mm L=40mm [13N21L] WT-9/20/25 SW-320 WT-22/23 | 85113214-W |
| | Collet Ø1,6mm L=40mm [13N22L] WT-9/20/25 SW-320 WT-22/23 | 85113224-W |
| | Collet Ø2,4mm L=40mm [13N23L] WT-9/20/25 SW-320 WT-22/23 | 85113234-W |
| | Collet Ø3,2mm L=40mm [13N24L] WT-9/20/25 SW-320 WT-22/23 | 85113244-W |
| 62 | Gaslens Ø0,5-1,0mm Jumbo [45V0204S] WT-9/20/25 SW-320 WT-22/23 | 85136504-W |
| | Gaslens Ø1,6mm Jumbo [45V116S] WT-9/20/25 SW-320 WT-22/23 | 85136516-W |
| | Gaslens Ø2,4mm Jumbo [45V64S] WT-9/20/25 SW-320 WT-22/23 | 85136564-W |
| | Gaslens Ø3,2mm Jumbo [995795S] WT-9/20/25 SW-320 WT-22/23 | 85136795-W |
| 63 | Nozzle #6 iØ9,6mm L=48mm [57N75] WT Jumbo | 85257750-W |
| | Nozzle #8 iØ12,8mm L=48mm [57N74] WT Jumbo | 85257740-W |
| | Nozzle #10 iØ16,0mm L=48mm [53N88] WT Jumbo | 85253880-W |
| | Nozzle #12 iØ19,2mm L=48mm [53N87] WT Jumbo | 85253870-W |

Components

| # | Item description | Part no |
|----|--------------------------------|----------------|
| 1 | Coupler [920CA] WTS | 8550590-920CA |
| 1c | Torch Head WT-9/20 50° WTB WTF | 8560809-50-W |
| 1d | Torch Head WT-9/20 70° WTB WTF | 8560809-70-W |
| 1e | Torch Head WT-9/20 90° WTB WTF | 8560809-90-W |
| 1f | Torch Head WT-9/20 0° WTB WTF | 8560809-180-W |
| 10 | Handle H-100SR WTS Stubby | 8550351-H100SR |

Reproduction and distribution of this publication in any form- even in parts - without prior permission is forbidden.