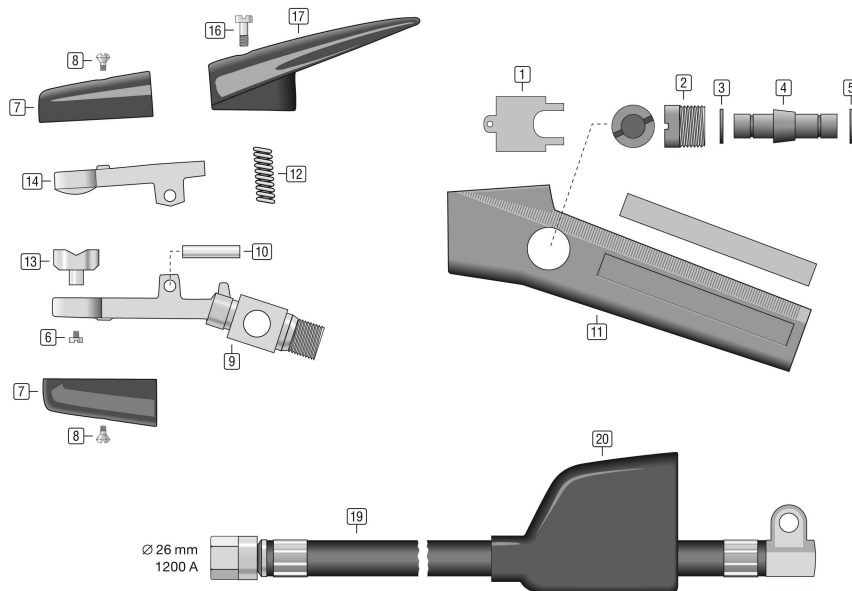




Data Sheet

Gouging Torch KR4000



00.DBL-9030-0032

07/2021

Components

#	Item description	Part no
01	Key for valve screw	9011-1140
02	Valve cover	9011-1101
03	O-ring Valve Gouging Torch KR3/4000/5	9011-1004
04	Valve plastic grey	9011-1003
05	O-ring Valve Gouging Torch KR3/4000/5	9011-1004
06	Screw for nozzle M4x5 flat head screw	9011-5501
07	Insulating cap (pair) KR4000 62,5mm / 65,5mm	9011-0801
08	Screw for insulator M4x10 countersunk screw head	9011-5302
09	Body KR4000	9011-0120
10	Hinge pin 6x18	9011-0411
11	Handle KR4000	9011-0930
12	Handle lever spring KR3/5 KR4000 8,5x2,0x42mm	9011-0310
13	Nozzle KR3/5 KR4000 incl. screw 9011-5501	9011-0500
14	Upper arm (hole 6mm) KR3, KR5, KR4000	9011-0210
16	Screw for handle lever M6x1,0x20 zyl.torch head	9011-5001
17	Handle lever KR3/5 KR4000	9011-0700
19	Swivel cable for K4000 2m cpld	9001-0032
20	Iso nipple for 2 pc connection 20 tube	9012-0601

Components

#	Item description	Part no
	Gouging Torch KR4000 2m 800 Ampere	9030-0032